

## BURNER COMPONENTS—CONTINUED

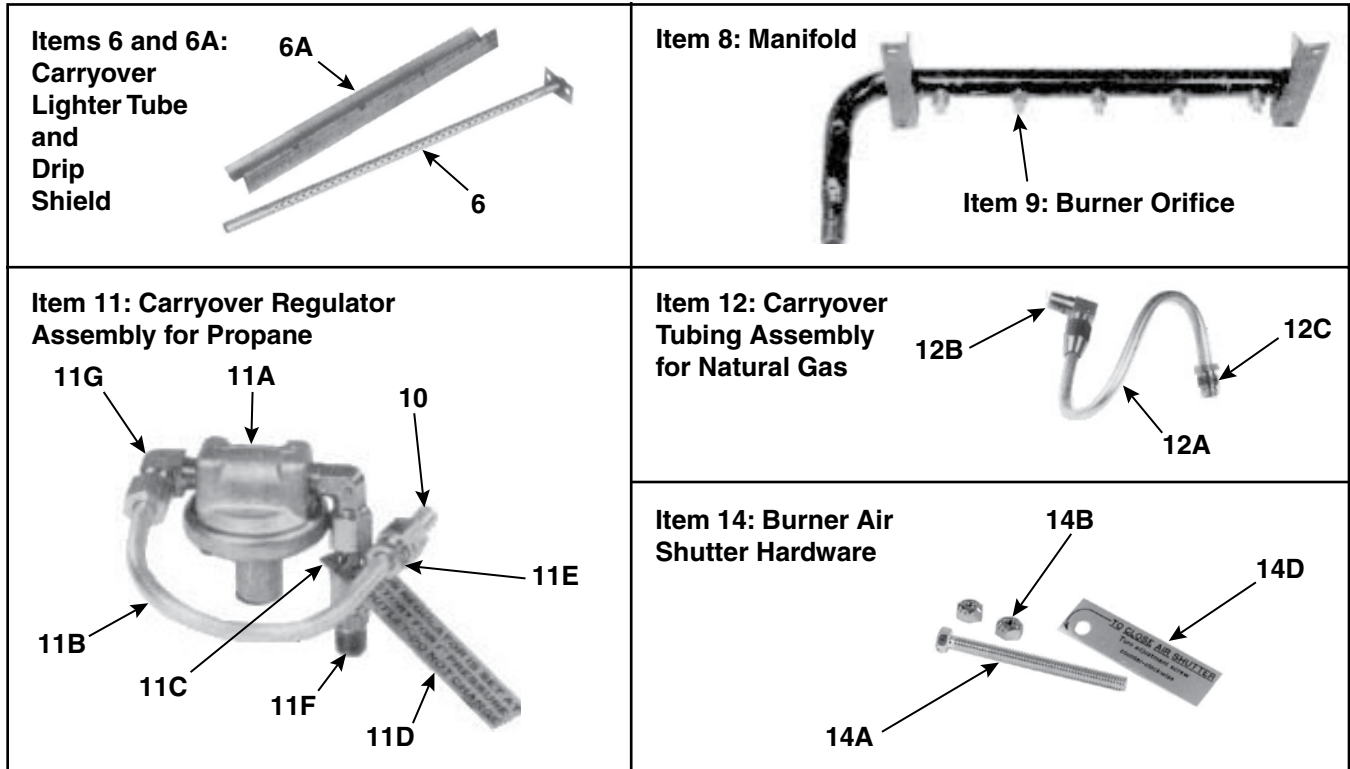


Figure 17. Burner Rack Components (Refer to [Table 22](#))

Table 22. Burner Components													
Item No.	Component	Description	Unit Size (PGBL, RGBL, and RPBL Models)										
			—			500	600	700, 1050	400, 800, 1200				
			Unit Size (RPDBL Models)										
			—			1000	1200	1400	800, 1600				
			Unit Size (HRPD Models)										
			—		250	300	350	400		500	600	700	800
			Unit Size ((C)(H)(HC)RG/RP(B) Models)										
			075	100	125	150	175	200	225	250	300	350	400
PN (Quantity)*													
1	Burner rack with carryovers and air shutters	Aluminum	65972	65973	65974	65975	65976	65977	65978				
		SST	65980	65981	65982	65983	65984	65985	65986				
	Burner rack with carryovers	Replacement, stainless steel, for RP units with gas control option AG39, AG40, AG41, or AG42	—	92813	92814	92815	92816	—		92818			
2	Flash carryover	One-piece	63128	63131		63138	—		—				
3		Right section	—	—	—	63148	63141	63148	63152				
4		Center section	—	—	—	—		63156	68071				
5	Left section	—	—	—	63144								
6	Lighter tube	Carryover	9899	9859	9821	9783	9747	9711	9520				
6A	Drip shield	Carryover lighter tube	15015	15014	15013	15012	15011	15010	14957				
7	Burner tube	Main, aluminized	85218 (4)	85218 (5)	85218 (7)	85218 (9)	85218 (12)	85218 (14)	85218 (16)				
		Main burner, SST	87954 (4)	87954 (5)	87954 (7)	87954 (9)	87954 (12)	87954 (14)	87954 (16)				
8	Manifold	Without orifices	86338	86339	86340	86342	86343	86344	86345				

\*Quantity is one (1) unless otherwise indicated.

**Table 22. Burner Components—Continued**

Item No.	Component	Description	Unit Size (PGBL, RGBL, and RPBL Models)										
			—					500	600	700, 1050	400, 800, 1200		
			Unit Size (RPDBL Models)										
			—					1000	1200	1400	800, 1600		
			Unit Size (HRPD Models)										
			—		250	300	350	400		500	600	700	800
			Unit Size ((C)(H)(HC)RG/RP(B) Models)										
075	100	125	150	175	200	225	250	300	350	400			
PN (Quantity)*													
9	Burner orifice <sup>†</sup>	(H)RG and PGBL, natural gas	38678	11792	11792	11828	11792	11828	11792	11833	11792	11792	
		(H)RG and PGBL, propane	63003	61652	61652	11830	61652	11830	61652	11830	61652	61652	
		(H)CRG, natural gas	38678	11828	11828	—	11828	—	11828	38678	11828	11828	
		(H)CRG, propane	63003	11830	11830	—	11830	11830	11830	63003	11830	11830	
		(H)RP, natural gas	—		84437	11833	84437	11828	84437	11833	84437	84437	
		(H)RP, propane	—		61652	11830	61652	11830	61652	11830	61652	61652	
		(H)CRP, natural gas <sup>‡</sup>	—		11828	—	11828	—		38678	11828	—	11828
		(H)CRP, propane <sup>‡</sup>	—		11830	—	11830	—		63003	11830	—	11830
10	Carryover orifice <sup>†</sup>	(H)RG, natural gas	9870		9870		9680		10370		9792		
		(H)RG, propane	9870		9870		9680		9680		10370		
		(H)CRG, natural gas	9870		9870		—	9680	—	10370	9792		
		(H)CRG, propane	9870		9870		—	9680	—	9680	9791		
		(H)RP, natural gas	—		9870		9680		9680		10370		
		(H)RP, propane	—		9870		9680		9680		10370		
		(H)RP, natural gas, units with option AG39, AG40, AG41, or AG42	—		9870		9680		9680		10370		
		(H)CRP, natural gas <sup>‡</sup>	—		9870		9680		9680		10370		
(H)CRP, propane <sup>‡</sup>	—		9870		9680		9680		10370				
11	Carryover regulator	Assembly, propane	100712										
11A	Carryover regulator	Propane units or natural gas units with option AG39, AG40, AG41, or AG42, Maxitrol #RV-12,	11294										
11B	Carryover regulator tubing	1/4 x 5-1/2 inches	9681										
11C	regulator tubing	1/4 x 1-1/4 inches	11892										
11D	Tag	Carryover regulator	11935										
11E	Compression fitting		9664										
11F	Fitting	Regulator to manifold	1436										
11G	Elbow	90-degree, brass	18224 (2)										
12	Carryover tubing	Assembly, natural gas	—										
12A	Tubing		93389										
12B	Elbow	Brass	93388										
12C	Fitting	Compression	9664										
13	Sight glass	Burner rack	10756 (2)										
14	Hardware	Burner air shutter	—										
14A	Adjustment screw	1/4-20 x 2-1/2	10653										
14B	Nut	Adjustment screw, 1/4-20	10650 (2)										
14C	Tinnerman nut	Shutter slide, 1/4-20	10651										
14D	Instruction tag	Shutter adjustment	11934										

\*Quantity is one (1) unless otherwise indicated.

<sup>†</sup>Refer to [Table 23](#) for orifice size.

<sup>‡</sup>Units manufactured **before** series 8.

**Table 23. Orifice Size**

Type	PN (Drill Size)							
Burner	11792 (41)	84437 (42)	11828 (43)	11833 (44)	38678 (45)	11830 (55)	63003 (1.20 mm)	61652 (1.45 mm)
Carryover	9792 (54)	9791 (56)	38274 (57)	10370 (59)	9680 (65)		9870 (70)	